

WALL WASH – 3020W

H/L/J Track Luminaire

WAC LIGHTING

Responsible Lighting®

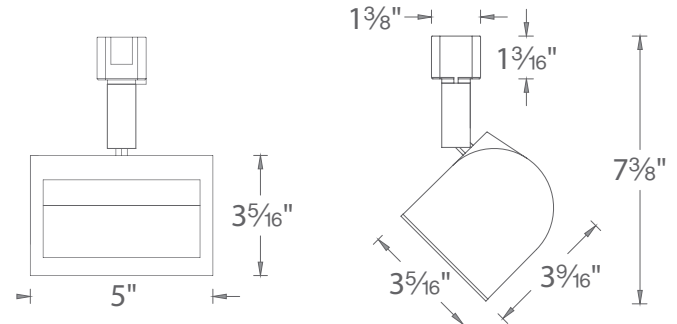


Fixture Type:

Catalog Number:

Project:

Location:



PRODUCT DESCRIPTION

LED luminaire with optimum light distribution for wall wash application

FEATURES

- 350° horizontal rotation and 90° vertical aiming
- Integral LED and driver
- 50,000 hour rated life
- 5 year WAC Lighting product warranty

SPECIFICATIONS

- Construction:** Die-cast aluminum
- Power Consumption:** 20W
- Input:** 120V AC 50/60Hz
- Light Source:** High output LED
- Dimming:** Electronic Low Voltage (ELV) 100% - 5%
- Finish:** Powder coated
- Standards:** UL & cUL Listed, Title 24 JA8-2016 Compliant

ORDER NUMBER

System	Model	Color Temp	CRI	Lumens	Finish
H L J	H TRACK L TRACK J/J2 TRACK	3020W	30	3000K 90 925	BK Black WT White

____-**3020W-30**-____

Example: **H-3020W-30-BK**

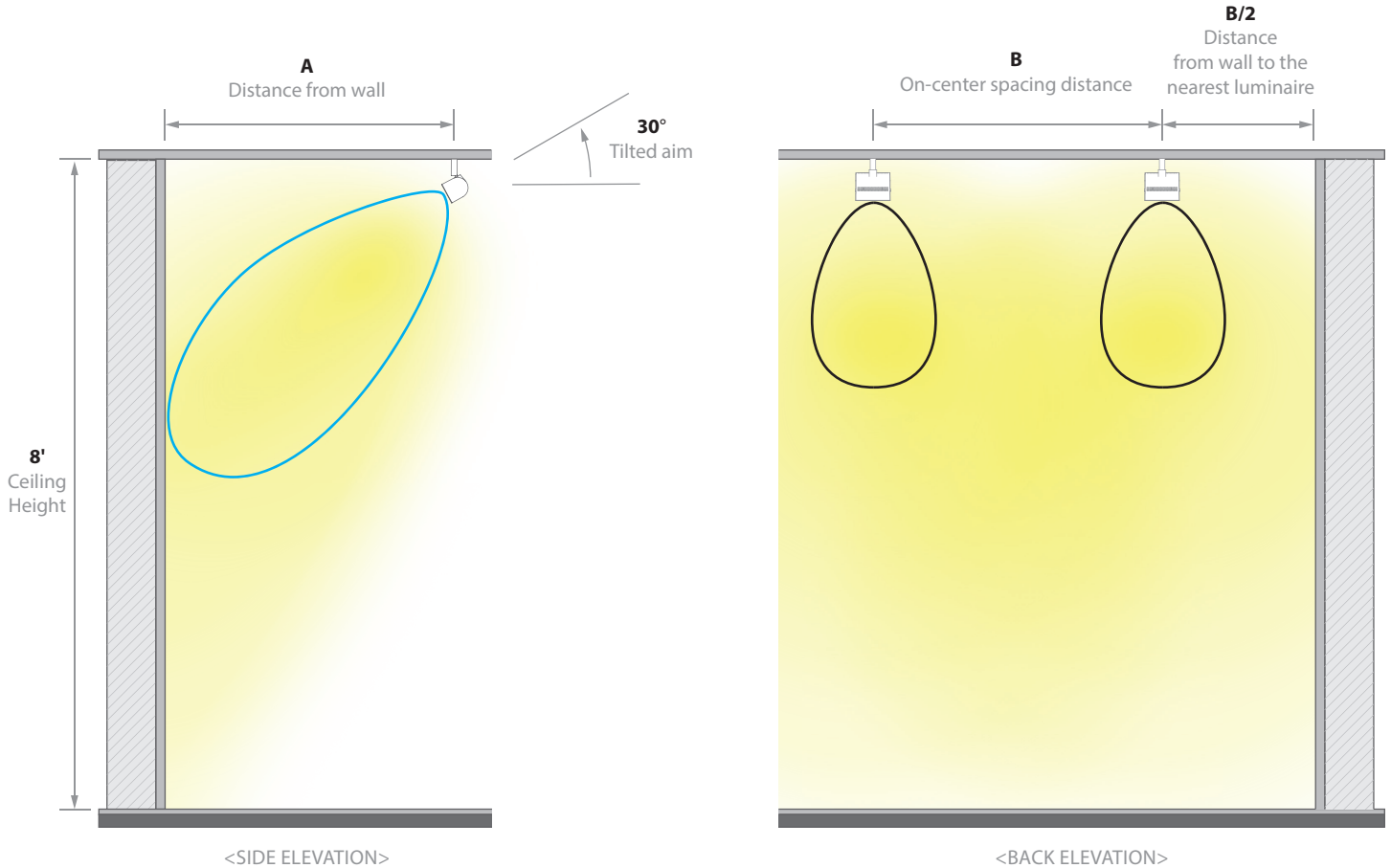
wacighting.com
Phone (800) 526.2588
Fax (800) 526.2585

Headquarters/Eastern Distribution Center
44 Harbor Park Drive
Port Washington, NY 11050

Central Distribution Center
1600 Distribution Ct
Lithia Springs, GA 30122

Western Distribution Center
1750 Archibald Avenue
Ontario, CA 91760

LAYOUT GUIDE

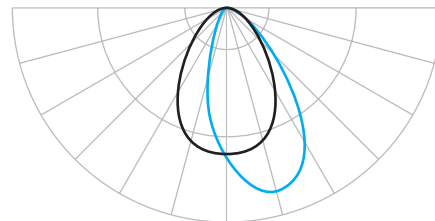


AVERAGE WALL ILLUMINANCE

		B On-center spacing distance	
		3 feet	5 feet
A Distance from wall	3 feet	31 fc	25 fc
	5 feet	20 fc	16 fc

PHOTOMETRY

Shown when fixture is aimed towards the ground (nadir)



Results may vary depending on surface properties, ambient light levels, etc.

WAC Lighting
www.waclighting.com
Phone (800) 526.2588 • Fax (800) 526.2585

Headquarters/Eastern Distribution Center
44 Harbor Park Drive • Port Washington, NY 11050
Phone (516) 515.5000 • Fax (516) 515.5050

Western Distribution Center
1750 Archibald Avenue • Ontario, CA 91760
Phone (800) 526.2588 • Fax (800) 526.2585