

# Schedule 40

**Model  
915-PP  
Hub Adaptor**



**Model  
916-PP  
Spigot Adaptor**



**Model  
917-PP  
Drain Tee**



Includes built-in  
test membrane

Easily remove  
membrane after test

Snap-on  
overflow plate.  
No screws



**ADA**

PRESFLO® (PF)  
Foot Actuated (FA) only

See price list for complete item numbers and available options.

When ordering, please specify complete item number and any applicable option codes.



For More Information Contact:  
**WATCO Manufacturing Company**  
1220 South Powell Road  
Independence, MO 64057-2724  
Ph. 816-796-3900 • FAX 816-796-0875  
[www.watcomfg.com](http://www.watcomfg.com)

## Innovator® 915

Half Kit with Hub Adaptor

## Innovator® 916

Half Kit with Spigot Adaptor, PVC only

## Innovator® 917

Half Kit with Drain Tee

**Sturdy 1.5" Schedule 40 Fittings  
Solvent Weld Assembly**

### SPECIFICATIONS

#### FEATURES:

- Eliminates all screws
- Eliminates need for separate overflow test plug
- Eliminates leaks due to loose overflow attachment
- Eliminates dual inventory of one- and two-hole overflow plates

#### Approvals (915 models):

- Manufactured in compliance with ASME A112.18.2-2005/CSA B125.2-2005.

#### Patents (Innovator®):

- See <http://watcomfg.com/Watco/patents/> for details

#### Threads (Strainer Body and Drain Elbow):

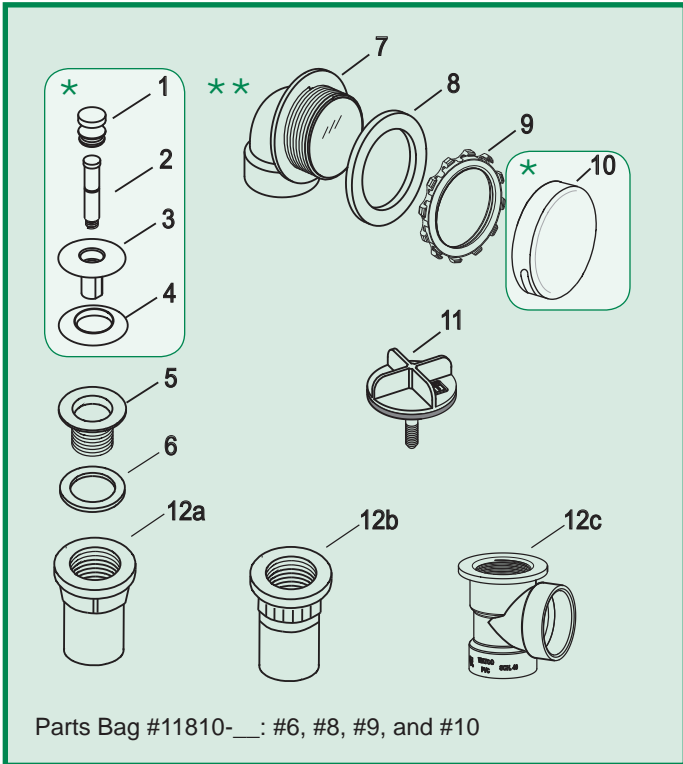
- 1½" – 11½ NPSM (Coarse Thread)
- 1.865" Major Diameter (outside thread diameter)
- 11.5 threads per inch

**PIPING:**  PVC  ABS

#### Finishes Available in the 915/916/917 Series:

Tube Closures:	PUSH PULL®	LIFT & TURN	PRESFLO®	FOOT ACT.
CP - Chrome Plated	•	•	•	•
AB - Antique Brass				
AP - Aged Pewter	•	•	•	
BB - Brushed Bronze	•	•	•	
BN - Brushed Nickel	•	•	•	•
BO - Bone	•	•		
BS - Biscuit	•	•		
BZ - Oil-Rubbed Bronze	•	•	•	•
CB - Chrome Brushed	•	•	•	
NP - Nickel Polished	•	•	•	•
PB - Polished Brass	•	•	•	•
PN - Pearl Nickel	•	•	•	
WH - White	•	•		
WI - Wrought Iron	•	•	•	

# 915/916/917 Series Parts List



\* SF: (example: 900-PPSF) Parts #1 thru #4, and #10  
 \*\* RI: (example: 915-PPRI) Parts #5 thru #9, and #11 thru #12a

Item	Part #	Description
1.	01010CP.....	PUSH PULL® Knob, Brass
2.	11510.....	Friction Ring (11505) and Post (11532)
3.	01013CP.....	Stopper, Brass
4.	11507.....	Seal, 1-1/16" dia.
5.	01016CP.....	Strainer Body, 1.865" - 11.5 - 1-1/4"
6.	10696.....	Drain Ell Washer, 1.5" gray
7.	11020.....	Innovator® Overflow Ell, Schedule 40, ABS
	14020.....	Innovator® Overflow Ell, Schedule 40, PVC
8.	10675.....	Overflow Ell Washer, Foam
9.	11121.....	Retainer Nut for Innovator®
10.	01004CP.....	Overflow Plate for Innovator®
11.	11575.....	Test Plug with O-Ring-type Gasket
<b>For the 915:</b>		
12a.	11608.....	Hub, Schedule 40, ABS
	11607.....	Hub, Schedule 40, PVC
<b>For the 916:</b>		
12b.	11610.....	Spigot, Schedule 40, PVC only
<b>For the 917:</b>		
12c.	11027.....	Direct Drain Tee, Schedule 40, ABS
	14027.....	Direct Drain Tee, Schedule 40, PVC

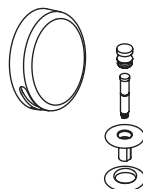
## OPTIONAL TUB CLOSURES FOR 915/916/917-SERIES BATH WASTES (PUSH PULL® ALSO SHOWN ABOVE)

PUSH PULL® Coarse Thread		LIFT & TURN Coarse Thread		PRESFLO® Coarse Thread		FOOT ACTUATED Coarse Thread	
	1. 01010CP 01010__* 2. 11510 3. 01013CP 01013__* 4. 11507 5. 01016CP 01016__*		1. 01010CP 01010__* 2. 11079 3. 11088 4. 11290CP 01013__* 5. 11507 6. 11492CP 01016__*		1. 11145CP 11145__* 2. 11132 3. 11060CP 11060__* 4. 96039: Suction Cup for removing stopper		1. 38412CP 38412__* 2. 11492CP 01016__*
U.S. Pat. No. 4,720,877		U.S. Pat. No. 5,758,368		U.S. Pat. No. 4,457,030			

\*If finish other than Chrome is desired, please use this part number and indicate desired finish.

### 917 ROUGH-IN (RI) and STOPPER/FACEPLATE (SF)

**STOPPER/FACEPLATE'S** ▶  
 (example: 900-PPSF-0-CP)  
 Overflow plate and stopper assembly



### ROUGH-IN'S

(example: 917-PPRI-PVC-CP)  
 All parts, including strainer body,  
except the overflow plate and  
 stopper assembly

