

HIGH ALTITUDE KIT INSTALLATION INSTRUCTIONS

For use to convert cooking appliance for elevations above 6,560 ft (1999.5 m)

**Kit Number W10394295 - Natural Gas (NG) High Altitude Kit
Contains:**

- 3 - Orifice spud, medium burner
- 2 - Orifice spud, large burner
- 1 - Instruction sheet

**Kit Number W10394296 - Propane Gas (LP) High Altitude Kit
Contains:**

- 3 - Orifice spud, medium burner
- 2 - Orifice spud, large burner
- 1 - Instruction sheet

GAS CONVERSION SAFETY

Your safety and the safety of others are very important.

We have provided many important safety messages in this manual and on your appliance. Always read and obey all safety messages.



This is the safety alert symbol.

This symbol alerts you to potential hazards that can kill or hurt you and others.

All safety messages will follow the safety alert symbol and either the word "DANGER" or "WARNING."

These words mean:

⚠ DANGER

You can be killed or seriously injured if you don't immediately follow instructions.

⚠ WARNING

You can be killed or seriously injured if you don't follow instructions.

All safety messages will tell you what the potential hazard is, tell you how to reduce the chance of injury, and tell you what can happen if the instructions are not followed.

WARNING: If the information in this manual is not followed exactly, a fire or explosion may result causing property damage, personal injury or death.

- **Do not store or use gasoline or other flammable vapors and liquids in the vicinity of this or any other appliance.**
- **WHAT TO DO IF YOU SMELL GAS:**
 - **Do not try to light any appliance.**
 - **Do not touch any electrical switch.**
 - **Do not use any phone in your building.**
 - **Immediately call your gas supplier from a neighbor's phone. Follow the gas supplier's instructions.**
 - **If you cannot reach your gas supplier, call the fire department.**
- **Installation and service must be performed by a qualified installer, service agency or the gas supplier.**

WARNING: Gas leaks cannot always be detected by smell.

Gas suppliers recommend that you use a gas detector approved by UL or CSA.

For more information, contact your gas supplier.

If a gas leak is detected, follow the "What to do if you smell gas" instructions.

In the State of Massachusetts, the following installation instructions apply:

- Installations and repairs must be performed by a qualified or licensed contractor, plumber, or gasfitter qualified or licensed by the State of Massachusetts.
- If using a ball valve, it shall be a T-handle type.
- A flexible gas connector, when used, must not exceed 3 feet.

GAS CONVERSIONS

IMPORTANT: Gas conversions must be done by a qualified installer. Before proceeding with the conversion, shut off the gas supply to the range prior to disconnecting the electrical power.

WARNING

This conversion kit shall be installed by a qualified service agency in accordance with the manufacturer's instructions and all applicable codes and requirements of the authority having jurisdiction. If the information in these instructions is not followed exactly, a fire, explosion or production of carbon monoxide may result causing property damage, personal injury or loss of life. The qualified service agency is responsible for the proper installation of this kit. The installation is not proper and complete until the operation of the converted appliance is checked as specified in the manufacturer's instructions supplied with this kit.

! WARNING



Explosion Hazard

Use a new CSA International approved gas supply line.

Install a shut-off valve.

Securely tighten all gas connections.

If connected to LP, have a qualified person make sure gas pressure does not exceed 14" (36 cm) water column.

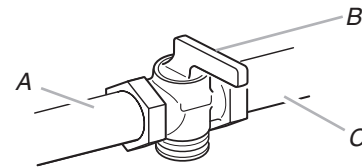
Examples of a qualified person include:

licensed heating personnel,
authorized gas company personnel, and
authorized service personnel.

Failure to do so can result in death, explosion, or fire.

LP Gas Conversion

1. Turn the manual shutoff valve to the closed position.

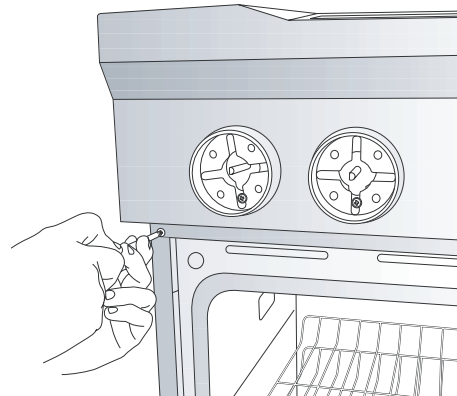


- A. To range or cooktop
- B. Shutoff valve (closed position)
- C. Gas supply line

2. Unplug range or cooktop or disconnect power.

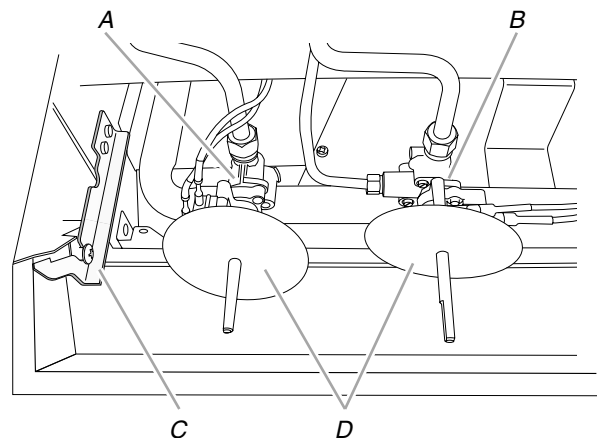
To Gain Access to Burner Valves on Freestanding Ranges

1. Remove burner grates.
2. Remove the control knobs.
3. Open the oven door and remove the 2 screws on each side of the range that secures the console in place.



NOTE: Leave oven door ajar, or the control console will not rest in the side brackets properly once it is detached.

4. Pull up on the control console and let it drop forward into the notched console brackets on each side.

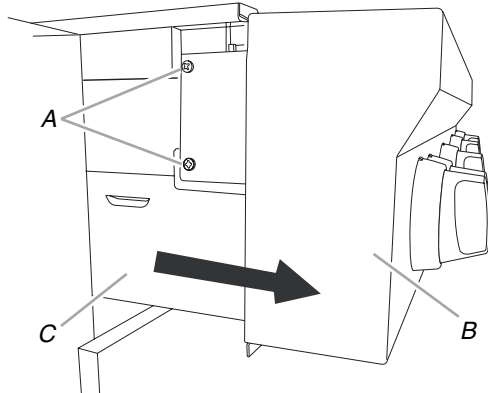


- A. Single valve
- B. Dual valve
- C. Control console bracket
- D. Round gaskets

- Remove the round gaskets from each valve stem.
- Proceed to “Adjusting Valve Bypass Screw” section.

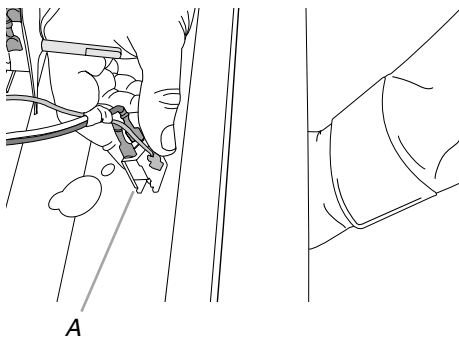
To Gain Access to Burner Valves on Cooktops

- Remove burner grates.
- Remove the control knobs.
- Pull the cooktop forward to expose the console attachment screws on each side of the cooktop burner base.



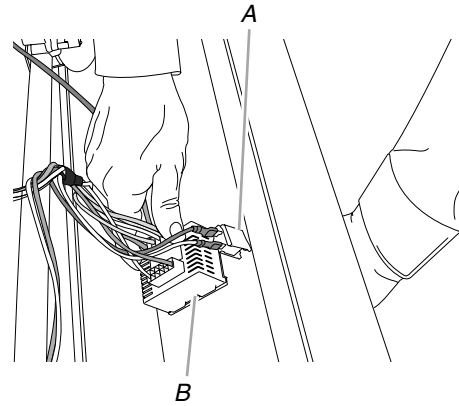
A. Console attachment screws
 B. Control console
 C. Cooktop burner base

- Disconnect wiring from the control console.
- On griddle models only:** Supporting the control console in the middle with one arm, disconnect the grill indicator light with the other hand.



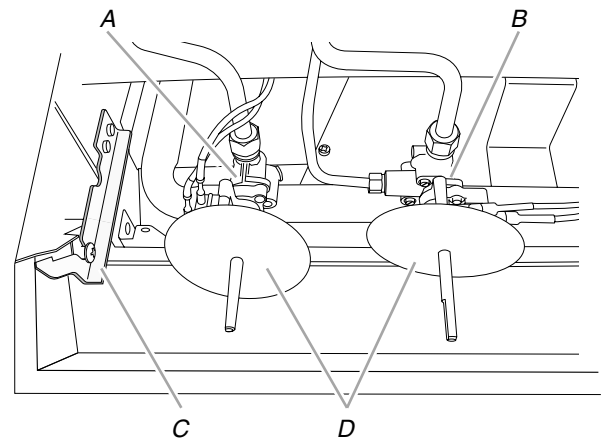
A. Grill indicator light connector

- On griddle models only:** Supporting the control console in the middle with one arm, disconnect the griddle switch connectors and the grill indicator light with the other hand.



A. Griddle switch connectors
 B. Grill indicator light connector

- Remove console and set aside.
- Remove the round gaskets from each valve stem.



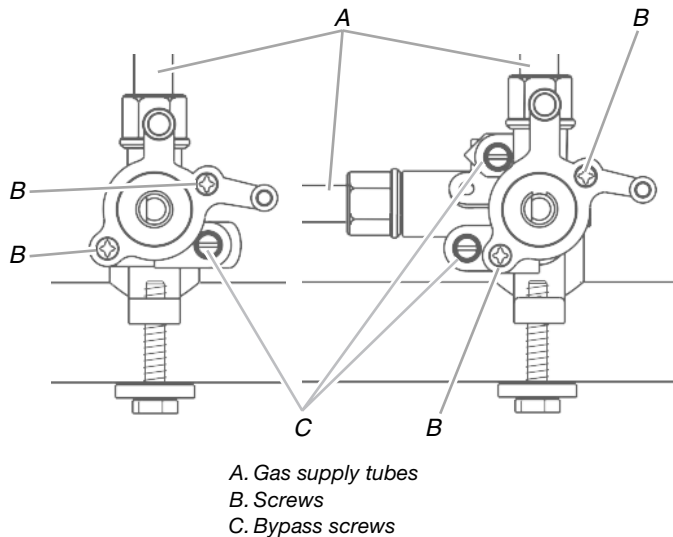
A. Single valve
 B. Dual valve
 C. Control console bracket
 D. Round gaskets

- Proceed to “Adjusting Valve Bypass Screw” section.

Adjusting Valve Bypass Screw

NOTE: The valve bypass adjustment is only required when converting from Natural Gas to LP Gas. The bypass adjustment is only required for single burner valves. The dual burner valves do not require bypass adjustment because their low flame is controlled by the burner simmer orifice.

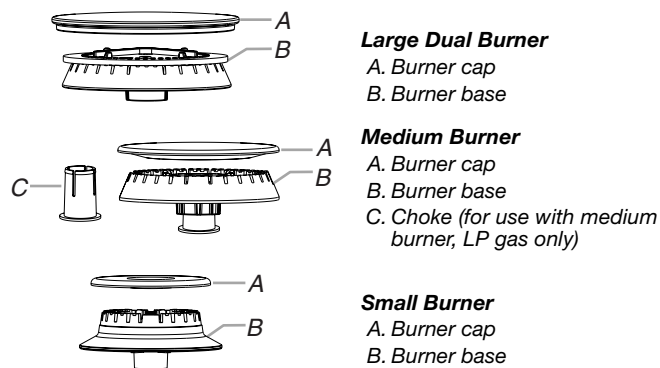
1. Use a 1/8" x 4 1/4" flat-blade screwdriver to completely screw down all single burner valves bypass screws. Do not overtighten.



2. Reassemble range or cooktop in reverse order used when gaining access to the burner valves.

To Convert Surface Burners

1. If installed, remove the burner grates.
2. Remove burner cap.
3. Remove the burner base.

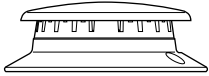
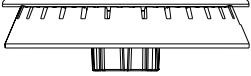
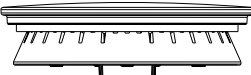


4. Apply masking tape to the end of a 7 mm nut driver to help hold the gas orifice spud in the nut driver while changing it. Insert nut driver into the gas opening and press down onto the gas orifice spud and remove by turning the gas orifice spud counterclockwise and lifting out. Set gas orifice spud aside.
5. Replace with correct LP gas orifice spud. See the "LP Gas Orifice Spud/Hood Chart."

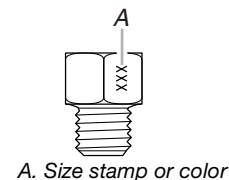
Use the following chart to find the exact orifice spud placement.

Fully insert choke into bottom of medium burner base. Choke should snap into place.

Gas Orifice Spud/Hood Chart

Gas Type	Burner Rating (BTU)	Color	Size	Burner Style
LP	3,000	Blue	0.55 mm	Small burners 
NG	5,000	Brass	1.01 mm	
LP	11,000	Brass	0.92 mm	Medium burners 
NG	15,000	Brass	1.55 mm	
LP	14,000	Brass	0.96 mm	Large burner - main Large burner - simmer
		Green	0.35 mm	
NG	20,000	Brass	1.80 mm	Large burner - main Large burner - simmer
		Brass	0.52 mm	
LP	14,500	Brass	1.07 mm	Grill burner 
NG	18,000	Brass	1.77 mm	

Gas orifice spud



6. Place the original gas orifice in plastic parts bag for future use and keep with package containing literature.
7. Replace the burner base.
8. Replace burner cap.
9. Repeat steps 2 through 8 for the remaining burners.
IMPORTANT: LEAK CHECK - Refer to the "Make Gas Connection" section of the Installation Instructions supplied with your appliance for proper leak check procedure.
10. Plug in appliance and turn on gas supply.
IMPORTANT: Refer to the "Electronic Ignition System" section of the Installation Instructions supplied with your appliance for proper burner ignition, operation and burner flame adjustments.
11. Check appliance for proper operation.

W10434180A

© 2011, Whirlpool Corporation.
All rights reserved.

8/11
Printed in U.S.A.