



19 cu. ft. Bottom-Freezer Refrigerator

WRB329DMB



Monochromatic Stainless Steel
WRB329DMBM

Also available in:

- White **WRB329DMBW**
- Black **WRB329DMBB**

Capacity

Total Capacity	19 cu. ft.
Refrigerator Capacity	13 cu. ft.
Freezer Capacity	6 cu. ft.

General Features & Properties

LED Interior Lighting	
ENERGY STAR® Certified	

Electrical Details

Amps	15
Volts	120

Certifications

ENERGY STAR® Certified	Yes
------------------------	-----

Technical Details

Refrigerator Type	Bottom-Freezer
Number of Doors	2
Number of Interior Refrigerator Shelves	5
Number of Refrigerator Door Bins	1 Fixed, 5 Adjustable
Lighting Type	LED
Ice Maker	Factory Installed
Ice Maker Location	Freezer
Dispenser Type	N/A

Dimensions

Product Dimensions (H x W x D)	67" x 29-5/8" x 33-3/8"
Depth with Door Open 90°	59"
Cutout Dimensions	Allow extra 1/2" on sides and top Allow extra 1" on rear

Reference Material

- [Dimension Guide](#)
- [Use & Care Guide](#)
- [Energy Guide](#)
- [Warranty](#)

Key Features & Benefits

SpillGuard™ Glass Shelves

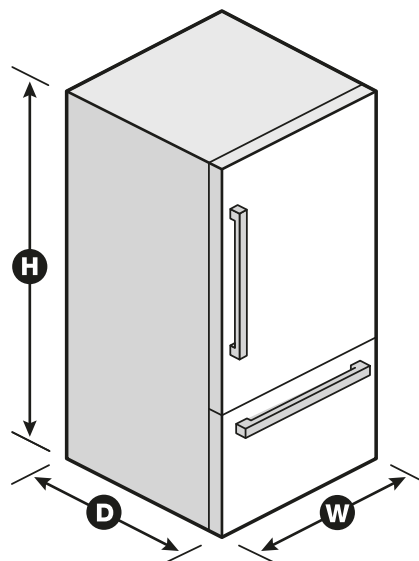
Helps contain leaks and spills for easier cleanup.

Adaptive Defrost

Senses and adapts, running the defrost cycle only when necessary.

FreshFlow™ Produce Preserver

A filter absorbs excess ethylene gas that causes fruit and vegetables, like lettuce and cantaloupe, to spoil.



NOTE: Dimensions are for planning purposes only. For complete details, see Installation Instructions packed with product. Specifications subject to change without notice.

®/™ © 2020. All rights reserved. Printed in the U.S.A. D200052XXC. WRB329DMBSPECSHEETV01.