



# 19 cu. ft. Top-Freezer Refrigerator

## WRT519SZD



Monochromatic Stainless Steel  
WRT519SZDM

### Also available in:

- White **WRT519SZDW**
- Black **WRT519SZDB**
- Biscuit **WRT519SZDT**
- Fingerprint-Resistant Metallic Steel **WRT519SZDG**

### Capacity

Total Capacity	19 cu. ft.
Refrigerator Capacity	14 cu. ft.
Freezer Capacity	5 cu. ft.

### General Features & Properties

- EZ Connect Icemaker Kit
- LED Interior Lighting
- Electronic Temperature Controls
- Freezer Temperature Controls
- Clear Door Bins
- Adjustable Door Bins
- Quiet Cooling
- ADA Compliant
- #1 Selling Appliance Brand in the U.S.A.\*

### Electrical Details

Amps	6.5
Volts	115

### Certifications

ADA Compliant	Yes
---------------	-----

### Technical Details

Refrigerator Type	Top-Freezer
Number of Doors	2
Number of Interior Refrigerator Shelves	3
Number of Refrigerator Door Bins	1 Fixed, 4 Adjustable
Number of Interior Freezer Shelves	1
Number of Freezer Door Bins	2 Fixed
Lighting Type	LED
Ice Maker	Optional
Ice Maker Location	Freezer
Dispenser Type	N/A

### Dimensions

Product Dimensions (H x W x D)	65-7/8" x 29-3/4" x 34-1/2"
Depth with Door Open 90°	59-7/8"
Cutout Dimensions	Allow extra 1/2" on sides and top Allow extra 1" on rear

### Reference Material

- [Dimension Guide](#)
- [Install Guide](#)
- [Use & Care Guide](#)
- [Energy Guide](#)
- [Warranty](#)

### Key Features & Benefits

#### Frameless Glass Shelves

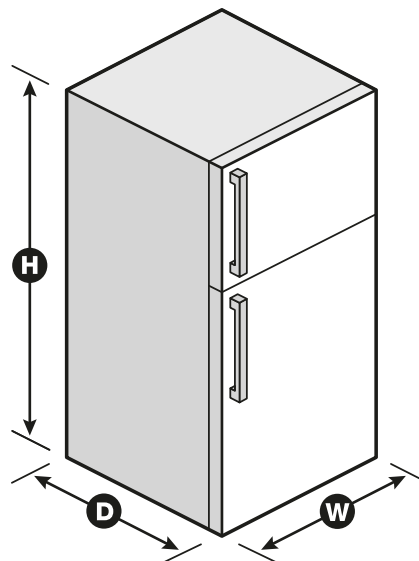
Store more items on wall-to-wall shelves for greater storage flexibility.

#### Flexi-Slide™ Bin

Make space for tall items with the bin that quickly and easily moves side to side.

#### Humidity-Controlled Crispers

Store fruits and vegetables in their ideal environment.



\*Based on 12-month average of unit sales. Refrigeration, Cooking, Dishwashers and Laundry appliances. TraQline 2018. NOTE: Dimensions are for planning purposes only. For complete details, see Installation Instructions packed with product. Specifications subject to change without notice. ©/™ © 2020. All rights reserved. Printed in the U.S.A. D200052XXC. WRT519SZDSPECSHEETV01.