

## For Commercial Applications

Job Name \_\_\_\_\_

Contractor \_\_\_\_\_

Job Location \_\_\_\_\_

Approval \_\_\_\_\_

Engineer \_\_\_\_\_

Contractor's P.O. No. \_\_\_\_\_

Approval \_\_\_\_\_

Representative \_\_\_\_\_

# LEAD FREE\*

## Series ICV-125-2-2-T Cast Iron Wafer Check Valves

Sizes: 2" - 12" (50-300mm)\*\*

Series ICV-125-2-2-T Cast Iron Wafer Check Valves are designed for HVAC and general service applications. They are lighter, more compact, utilize half the number of studs for installation and in some sizes offer more flow capacity than conventional swing check valves. The two spring-loaded plates close when the flow decreases, without the necessity of reverse flow. The Series ICV-125-2-2-T is designed and tested according to API 594 for use between ANSI Class 125 or 150 flanges. The ICV-125-2-2-T features Lead Free\* construction to comply with Lead Free\* installation requirements.

### Features

- Lightweight & compact design
- Aluminum bronze disc plates
- EPDM seat bonded to body for leak tight sealing
- Silent check valve
- Complies with API 594

### NOTICE

When installed in vertical pipe, flow direction in normal operation should open discs, and inlet pressure should be greater than head pressure.

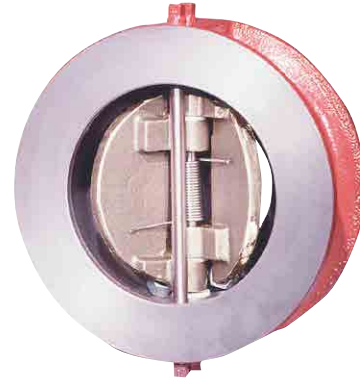
### Specifications

Check valve shall be manufactured out of ASTM A126 Class B cast iron and comply with API 594. Valve shall be pressure rated to 200psi (13.8 bar) for sizes 2" - 12" (50mm - 300mm). Check valve constructed with aluminum bronze disc plate, EPDM seat, 316 stainless steel spring, and PTFE bearings. Lead Free\* cast iron wafer check valve shall be constructed using Lead Free\* materials. Lead Free ICV-125-2-2-T shall comply with state codes and standards, where applicable, requiring reduced lead content. Valve shall be Watts Series ICV-125-2-2-T.

### Pressure — Temperature

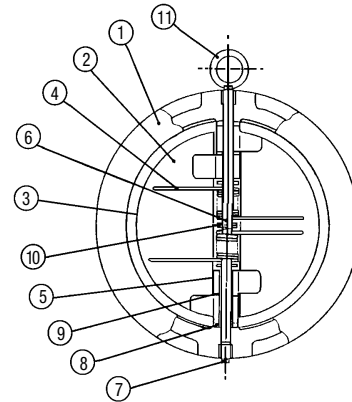
Temperature Range: -40°F – 250°F (-40°C – 121°C)

Pressure Rating: 2" – 12" (50 – 300mm):  
200psi (13.8 bar) CWP @ 150°F (66°C)



ICV-125-2-2-T

### Materials



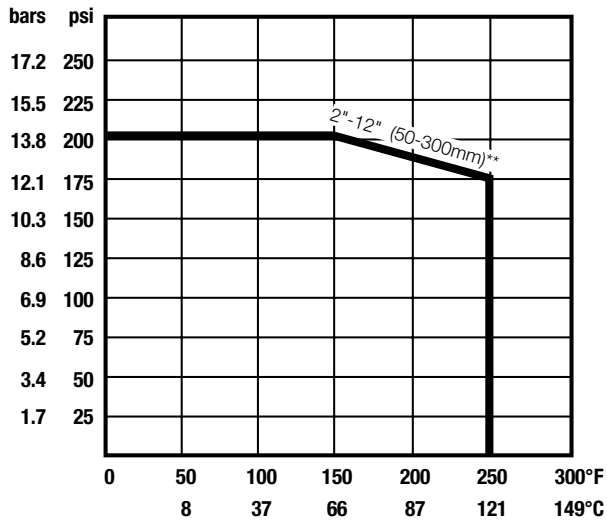
<b>1. Body</b>	Cast Iron	ASTM A126 Class B
<b>2. Disc plates (2)</b>	Aluminum Bronze	ASTM B-148
<b>3. Seat</b>	EPDM	Commercial
<b>4. Spring</b>	Stainless Steel	ASTM A-276 316SS
<b>5. Hinge Pin</b>	Stainless Steel	ASTM A-167 304SS
<b>6. Stop pin</b>	Stainless Steel	ASTM A-167 304SS
<b>7. Plug</b>	Carbon Steel	ASTM A-105
<b>8. Body bearings</b>	PTFE	Commercial
<b>9. Plate bearings</b>	PTFE	Commercial
<b>10. Spring bearings</b>	PTFE	Commercial

\*The wetted surface of this product contacted by consumable water contains less than 0.25% of lead by weight.

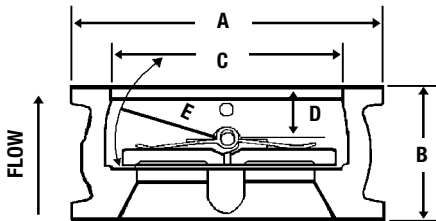
\*\* Metric Dimensions are nominal pipe diameter. This product is produced with ASME/ANSI flanged end connections.

Watts product specifications in U.S. customary units and metric are approximate and are provided for reference only. For precise measurements, please contact Watts Technical Service. Watts reserves the right to change or modify product design, construction, specifications, or materials without prior notice and without incurring any obligation to make such changes and modifications on Watts products previously or subsequently sold.

## Pressure – Temperature Ratings

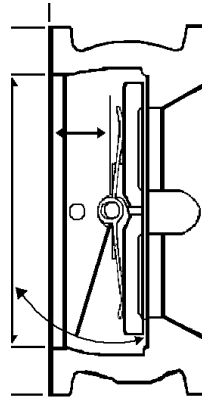


Note: Indicated Pressures are WOG.



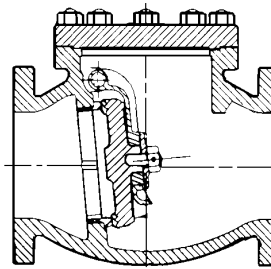
Flanges not included. Designed to mount between user supplied flanges.

## ICV-125-2-2-T vs. Conventional Swing Check



### Watts ICV-125-2-2-T

- Lightweight
- Higher flow capacity
- Only one set of studs and nuts required



### Conventional Swing Check

- Heavy
- Lower flow capacity
- Twice as many studs and nuts required

## Dimensions – Weights

SIZE (DN)**		A		B		C		D		E		CV	NO.	STUD DIAMETER		LENGTH		WEIGHT	
in.	mm.	in.	mm.	in.	mm.	in.	mm.	in.	mm.	in.	mm.			mm	in.	in.	mm.	lbs.	kg.
2	50	4 <sup>7</sup> / <sub>8</sub>	105	2 <sup>1</sup> / <sub>8</sub>	54	2 <sup>9</sup> / <sub>16</sub>	65	1	25	1 <sup>3</sup> / <sub>8</sub>	35	72	4	5 <sup>8</sup> / <sub>16</sub>	16	5 <sup>1</sup> / <sub>4</sub>	133	7	3
2 <sup>1</sup> / <sub>2</sub>	65	4 <sup>7</sup> / <sub>8</sub>	124	2 <sup>5</sup> / <sub>8</sub>	60	3 <sup>1</sup> / <sub>16</sub>	78	1	25	1 <sup>1</sup> / <sub>2</sub>	38	132	4	5 <sup>8</sup> / <sub>16</sub>	16	5 <sup>1</sup> / <sub>2</sub>	140	9	4
3	80	5 <sup>3</sup> / <sub>8</sub>	137	2 <sup>5</sup> / <sub>8</sub>	67	3 <sup>1</sup> / <sub>16</sub>	94	1 <sup>1</sup> / <sub>8</sub>	29	1 <sup>7</sup> / <sub>8</sub>	48	180	4	5 <sup>8</sup> / <sub>16</sub>	16	5 <sup>3</sup> / <sub>4</sub>	146	11	5
4	100	6 <sup>1</sup> / <sub>8</sub>	175	2 <sup>5</sup> / <sub>8</sub>	67	4 <sup>9</sup> / <sub>16</sub>	117	1 <sup>3</sup> / <sub>8</sub>	35	2	50	380	8	5 <sup>8</sup> / <sub>16</sub>	16	6 <sup>1</sup> / <sub>4</sub>	159	13	6
5	125	7 <sup>3</sup> / <sub>8</sub>	187	3 <sup>1</sup> / <sub>4</sub>	82	5 <sup>1</sup> / <sub>16</sub>	145	1 <sup>3</sup> / <sub>8</sub>	35	2 <sup>5</sup> / <sub>8</sub>	67	635	8	3 <sup>4</sup> / <sub>16</sub>	19	6 <sup>3</sup> / <sub>4</sub>	171	20	9
6	150	8 <sup>3</sup> / <sub>4</sub>	222	3 <sup>3</sup> / <sub>4</sub>	95	6 <sup>3</sup> / <sub>4</sub>	171	1 <sup>7</sup> / <sub>16</sub>	36	3 <sup>1</sup> / <sub>8</sub>	79	864	8	3 <sup>4</sup> / <sub>16</sub>	19	7	178	22	10
8	200	11	279	5	127	8 <sup>3</sup> / <sub>4</sub>	222	1 <sup>3</sup> / <sub>4</sub>	44	4 <sup>1</sup> / <sub>8</sub>	105	1650	8	3 <sup>4</sup> / <sub>16</sub>	19	8	200	42	19
10	250	13 <sup>3</sup> / <sub>8</sub>	340	5 <sup>1</sup> / <sub>2</sub>	140	10 <sup>1</sup> / <sub>8</sub>	276	1 <sup>3</sup> / <sub>4</sub>	44	5	127	3017	12	7 <sup>8</sup> / <sub>16</sub>	22	9	229	68	31
12	300	16 <sup>1</sup> / <sub>8</sub>	409	7 <sup>1</sup> / <sub>8</sub>	181	12 <sup>1</sup> / <sub>8</sub>	327	2 <sup>3</sup> / <sub>8</sub>	60	6 <sup>1</sup> / <sub>8</sub>	156	4280	12	7 <sup>8</sup> / <sub>16</sub>	22	10 <sup>1</sup> / <sub>2</sub>	267	123	56

C<sub>v</sub> = flow in GPM through a valve at 1psi pressure drop when the media is water at 68°F.

\*\* Metric Dimensions are nominal pipe diameter. This product is produced with ASME/ANSI flanged end connections.



A Watts Water Technologies Company



ISO 9001-2008  
CERTIFIED

USA: Tel: (978) 688-1811 • Fax: (978) 794-1848 • www.watts.com  
Canada: Tel: (905) 332-4090 • Fax: (905) 332-7068 • www.watts.ca