

For Residential and Commercial Applications

Job Name _____
 Job Location _____
 Engineer _____
 Approval _____

Contractor _____
 Approval _____
 Contractor's P.O. No. _____
 Representative _____

Series PIPF

Isolation Pump Flanges with Purge Port & Swivel Flange

Sizes: 3/4" – 1 1/4" (20-32mm)

Series PIPF Isolation Pump Flanges with Purge Port & Swivel Flange are designed to provide circulator pump isolation to facilitate the circulator pump replacement or repair while the integral purge port facilitates system purging.

Features:

- Ball valve isolation for circulator pumps
- Integral purge port saves time and money compared to purge stations made with ball valves, boiler drains, and copper tees
- Swivel flange allows purge port to be positioned for optimal purging convenience
- Brass body and flange
- Pressure rated to 400psi (28 bar) WOG
- Double O-ring stem sealing technology eliminates packing leaks
- Bottom loaded, blowout, proof stem

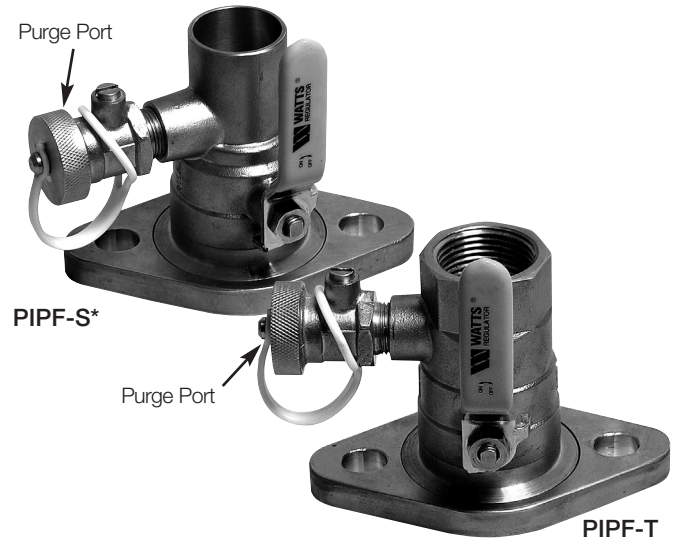
Models:

PIPF-T 3/4" – 1 1/4" (20-32mm) threaded NPT end connections

PIPF-S 3/4" – 1 1/4" (20-32mm) solder end connections

Specifications:

Approved pump flange will be constructed of brass body and adapter with integral brass purge port and a 360° swivel flange for infinite purge port positioning. Stem seal will be double O-ring seal technology to prevent packing leaks at installation. Top loaded stems are not acceptable. The valve shall be rated to 400psi (28 bar) WOG. Valve shall be a Watts Regulator Company Series PIPF-T (threaded) or PIPF-S (solder).

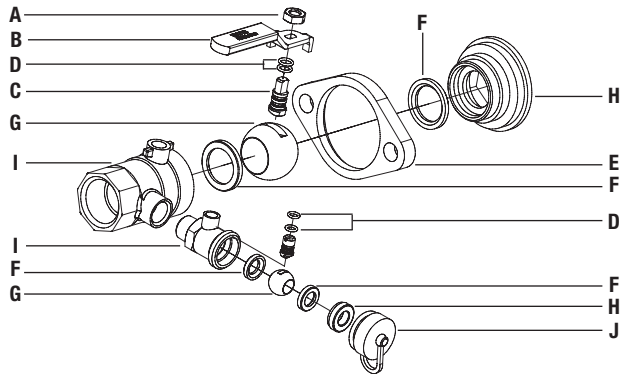


*This valve is designed to be soft soldered into lines without disassembly, using a low temperature solder to 420°F (216°C). Higher temperature solders may damage the seat material. Apply heat with the flame directed AWAY from the center of the valve body. Excessive heat can harm the seats.

WATTS®

Watts product specifications in U.S. customary units and metric are approximate and are provided for reference only. For precise measurements, please contact Watts Technical Service. Watts reserves the right to change or modify product design, construction, specifications, or materials without prior notice and without incurring any obligation to make such changes and modifications on Watts products previously or subsequently sold.

Materials



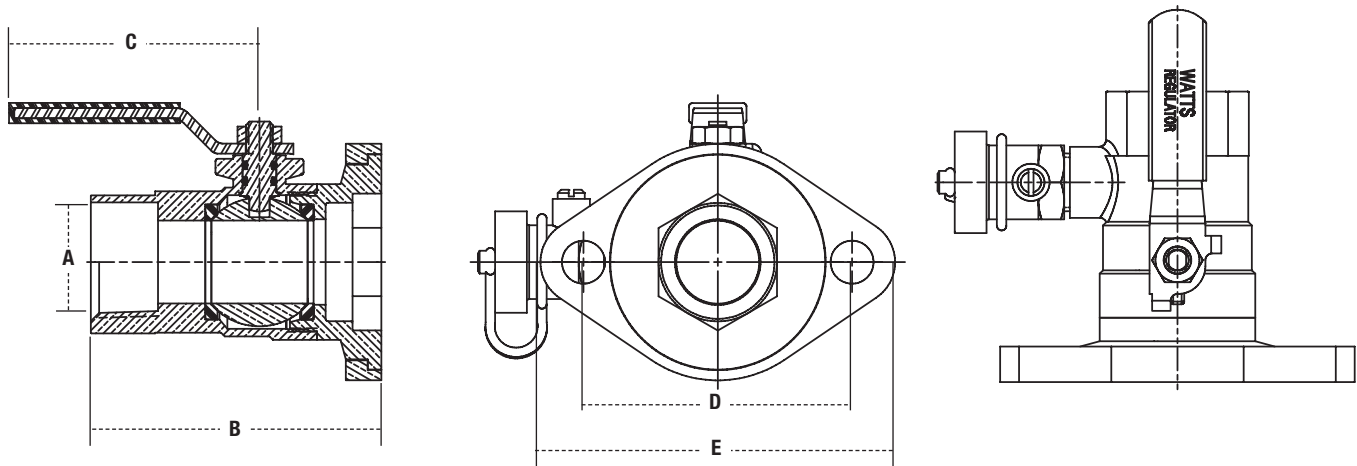
A. Handle Nut	Zinc Plated Steel
B. Handle	Zinc Plated Steel with Vinyl Insulator
C. Stem	UNS C37700 Brass
D. O-ring	FKM Elastomer
E. Flange	UNS C37700 Brass
F. Seat	Virgin PTFE
G. Ball	Plated Brass Ball
H. Adapter	UNS C37700 Brass
I. Body	UNS C37700 Brass
J. Cap & Tether	Polysulfone

Pressure – Temperature

Maximum Working Pressure: 400psi (28 bar) WOG

Maximum Temperature: 406°F (208°C) @ 100psi (6.9 bar)

Dimensions – Weights



MODEL	SIZE (DN)		DIMENSIONS						WEIGHT					
	in.	mm	A		B		C		E		lbs.	kg		
PIPF-T	3/4	20	3/4	19	3	76	2 ¹⁵ / ₁₆	74	3 ¹ / ₈	79	4 ¹ / ₈	105	1.86	0.84
	1	25	1	25	3 ³ / ₈	86	2 ¹⁵ / ₁₆	74	3 ¹ / ₈	79	4 ¹ / ₈	105	2.24	1.02
	1 ¹ / ₄	32	1 ¹ / ₄	31	3 ¹¹ / ₁₆	93	4 ¹ / ₁₆	103	3 ¹ / ₈	79	4 ¹ / ₈	105	2.83	1.28
PIPF-S	3/4	20	3/4	19	3 ¹ / ₈	80	2 ¹⁵ / ₁₆	74	3 ¹ / ₈	79	4 ¹ / ₈	105	1.71	0.77
	1	25	1	25	3 ¹ / ₂	89	2 ¹⁵ / ₁₆	74	3 ¹ / ₈	79	4 ¹ / ₈	105	1.99	0.90
	1 ¹ / ₄	32	1 ¹ / ₄	31	3 ¹³ / ₁₆	98	4 ¹ / ₁₆	103	3 ¹ / ₈	79	4 ¹ / ₈	105	2.43	1.10



Water Safety & Flow Control Products



USA: 815 Chestnut St., No. Andover, MA 01845-6098; www.watts.com

Canada: 5435 North Service Rd., Burlington, ONT. L7L 5H7; www.wattscanada.ca