

For Outdoor Installations

Job Name _____

Contractor _____

Job Location _____

Approval _____

Engineer _____

Contractor's P.O. No. _____

Approval _____

Representative _____

WattsBox

Insulated Enclosures

Specifications

Backflow prevention assemblies subjected to potential freezing conditions shall be protected with the WattsBox enclosure as shown.

The enclosure shall be of reinforced aluminum construction, providing access through doors for testing/certification purposes. It must also be totally removable for maintenance purposes. The enclosure shall be structurally lined with a unicellular, non-wicking insulation consisting of a sandwich laminate or applied by spray. It shall contain a thermostatically controlled heat source mounted to the interior wall or on the backflow preventer to provide protection to -30°F. No wood or "particle board" shall be allowed in assembly. Insulation mounted with glue will be cause for rejection. Power source will be protected with a ground fault circuit interrupting receptacle, UL Standard 943, NEMA 3R, installed by others, inside the box.

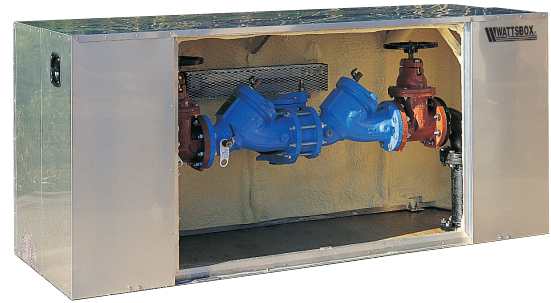
The enclosure shall contain drain openings sized to accommodate the maximum discharge of the reduced pressure zone assembly. Drain openings shall open to discharge under the most severe conditions. These openings are protected against intrusion of either wind, debris or animal. The enclosure is provided with means of permanent anchor and "lockable" access doors and/or lid to prohibit theft or vandalism.

All "wet" portions of the backflow prevention assembly shall be protected within the enclosure. Fire department hose connections and OSY indicating valve handles shall be maintained outside the enclosure.

The enclosure shall be factory assembled and delivered to the site ready to install with no drilling, screwing or riveting of enclosure required on site. The enclosure and the backflow preventer shall be covered by a single warranty policy. Enclosure shall be a Watts Series WattsBox.

NOTICE

The information contained herein is not intended to replace the full product installation and safety information available or the experience of a trained product installer. You are required to thoroughly read all installation instructions and product safety information before beginning the installation of this product.

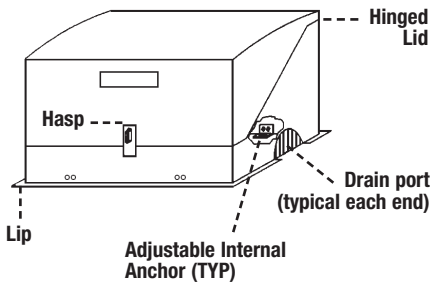


WattsBox Aluminum Enclosure

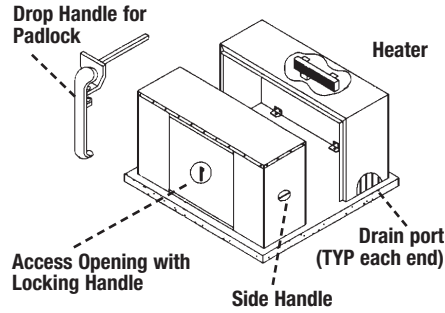
Features

- Designed to eliminate valve vault entry requirements of OSHA confined Space Ruling 29CFR 1910.146.
- Single source Watts Regulator warranty of the enclosure, the backflow preventer, and the heat source.
- Allows for the installation of the backflow preventer "at the service connection" in accordance with AWWA Standards.
- Is specifically designed to meet NFPA guidelines.
- The enclosure provides freeze protection to maintain the water supply to the property's fire protection system. (NFPA 3-3.1.8 and 3.6.1.3.2).
- Strategically placed doors provide access to the backflow prevention assembly for testing and repair without removal of the entire unit.
- An economical alternative to expensive retrofit installations.
- Eliminates potential drainage constraints in existing equipment rooms.
- Saves valuable floor space.
- Standardly furnished with thermostatically controlled heat source for freeze protection down to -30°F.
- Contains no structural wood or particle board for long life.
- Easy installation aluminum enclosures feature interlocking panels which eliminate the use of screws during assembly.
- Can be temporarily removed for replacement of the backflow preventer without the need for replacement of freeze protection services.
- ASSE 1060 Certified (Consult factory for approved models)

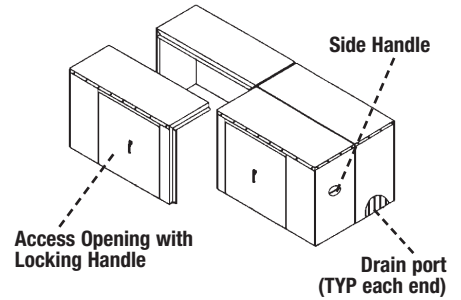
**Fiberglass WattsBox
Models WB-75, WB-N3**



**Two Piece Aluminum WattsBox
Models WB-N4, WB-E8**



**Four Piece Aluminum WattsBox
Models WB-N10, WB-E10**



Construction

1. Minimum 18 gauge aluminum or fiberglass construction.
2. Structural unicellular insulation.
3. Stainless steel hasps or handle to accept customer supplied lock.
4. Relief ports at enclosure grade level.
5. Designed to protect to -30°F.
6. Minimum R of 8.
7. Adjustable internal anchors.

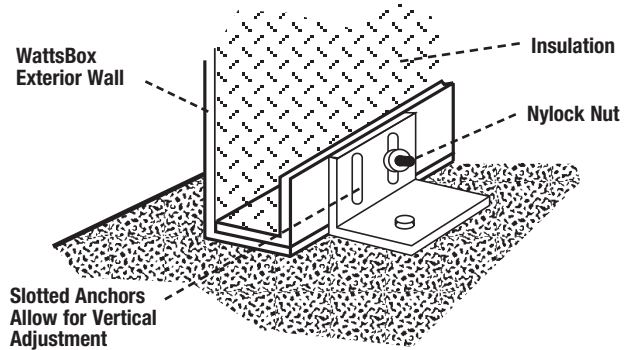
Heater Notes

1. 30W through 90W are heating cables, UL listed, CSA certified.
2. 1000W+ are wall mounted air heaters, ETL listed.
3. All circuits are 120 volt, single phase.
4. Service to WattsBox must be installed in accordance with the National Electric code and local ordinances, and protected with a G.F.I.

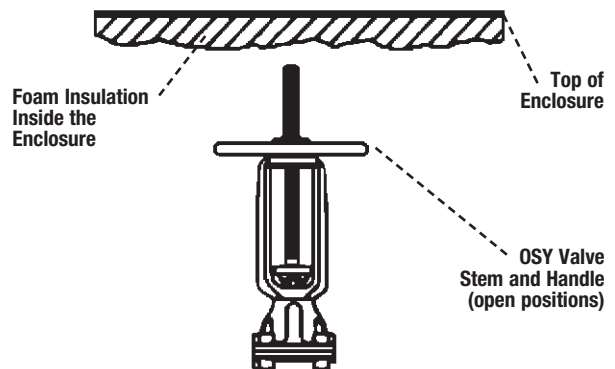
Typical Installation

1. Enclosure supplied with "anchor angles" at grade.
 - a. Recommended installation: on concrete slab
 - b. "Anchor angles" anchored to grade with mechanical fasteners (interior or exterior)
2. NRS (non-rising stem) valve handles enclosed inside enclosure
3. OSY (outside stem and yoke) valve handles concealed inside enclosure roof.
4. Door and construction hardware are lockable to prevent theft, vandalism or unauthorized entry.

Cutaway View of WattsBox Wall and Anchor



OSY Valve Enclosed — Side View



Dimensions

(all enclosures are available less heat - contact factory or your local Watts representative for details)

FITS WATTS VALVES	WATTS MODEL #	DIMENSIONS 12" CLEARANCE LENGTH X WIDTH X HEIGHT	HEATERS	WEIGHT LBS.	MOUNTING PAD SIZE
Fiberglass					
Thru 3/4" 007/LF007, 009/LF009, 909/LF909, 719/LF719, 919/LF919	WB-75	19" x 11" x 22"	30W	30	28" x 20"
Thru 1" 007/LF007, 009/LF009, 909/LF909, 719/LF719, 919/LF919	WB-1	27" x 13" x 23"	60W	40	36" x 22"
Thru 1 1/2" 007/LF007, 009/LF009, 909/LF909, 719/LF719, 919/LF919	WB-1.5	33" x 21" x 25"	60W	60	44" x 32"
Thru - 2" 007/LF007, 009/LF009, 909/LF909, 719/LF719, 919/LF919	WB-2	39" x 13" x 28"	90W	55	50" x 24"
3/4" - 1" 008/LF008, 800/LF800, 288/LF288, 289/LF289	WB-PVB1	18" x 9" x 18"	30W	25	19" x 27"
(Increases height by 6")	WB-PVB T1	18" x 9" x 24"	30W	28	19" x 27"
1 1/4" - 2" 800 / 288	WB-PVB2	26" x 12" x 20"	60W	30	21" x 35"
(Increases height by 8")	WB-PVB T2	26" x 12" x 28"	60W	35	21" x 35"
2 1/2" - 3" all 007/LF007, 009/LF009, 909/LF909 4" 774 NRS / OSY / DCDA 4" 994NRS, 3" 775NRS / OSY / DCDA , 3" 995NRS, 4" 775NRS, 4" 994NRS, 2 1/2" - 3" 757DCDA, 2 1/2" - 3" 957QT, 2 1/2" - 3" 957RPDA	WB-N3	70" x 26" x 45"	1000W	285	82" x 38"
4" 994OSY / RPDA, 4" 775OSY / DCDA, 3" 995OSY / RPDA	WB-E3	70" x 26" x 55"	1500W	375	82" x 38"
2 1/2" - 3" 957N NRS / OSY / BFG / QT, 4" 957N NRS / BFG / QT	WB 3000	45" x 35" x 35"	1000W	265	57" x 47"
4" 957N OSY, 4" 757DCDA	WB 4000	53" x 44" x 44"	1000W	290	65" x 56"
Aluminum					
4" 709/LF709 NRS / OSY / DCDA, 4" 909/LF909 NRS / OSY / RPDA, 6" 774NRS / OSY / DCDA, 6" 994NRS, 6" 775NRS, 6" 995NRS, 8" 775NRS, 4" 757NRS / OSY, 6" 757NRS / OSY / BFG, 8" 757NRS / BFG, 4" 757DCDA, 6" 757DCDA, 4" 957OSY, 6" 957NRS, 8" 957NRS	WB-N4	90" x 32" x 50.5"	1900W	400	102" x 44"
6" 957OSY, 6" 957RPDA	WB-E4	90" x 32" x 57.5"	1900W	435	102" x 44"
6" 709/LF709 NRS / OSY / DCDA, 6" 909/LF909 NRS / OSY / RPDA, 8" 774 / 994NRS, 10" 774 NRS, 10" 957NRS	WB-N6	105" x 36" x 53"	1900W	480	117" x 48"
6" 994 OSY / RPDA, 8" 774 OSY / DCDA, 10" 994 NRS, 6" 775OSY / DCDA, 8" 775OSY / DCDA, 6" 995OSY / RPDA, 8" 757OSY, 10" 757NRS, 8" 757DCDA, 8" 957OSY, 8" 957RPDA	WB-E6	105" x 36" x 64"	3000W	530	117" x 48"
8" 709/LF709, 909/LF909 NRS	WB-N8	118" x 40" x 58"	3000W	565	130" x 52"
8" 709/LF709 OSY / DCDA, 8" 909/LF909 / 994OSY / RPDA, 10" 774OSY / DCDA, 8" 757OSY / DCDA, 8" 957OSY / RPDA, 10" 757NRS, 10" 957NRS	WB-E8	118" x 40" x 74"	3000W	625	130" x 52"
10" 709/LF709, 909/LF909 NRS	WB-N10	142" x 42" x 65"	3000W	620	154" x 54"
10" 709/LF709 OSY / DCDA, 10" 909/LF909 / 994OSY / RPDA, 10" 757OSY / DCDA, 10" 957OSY / RPDA	WB-E10	142" x 42" x 85"	3800W	700	154" x 54"
2 1/2" - 3" 757N OSY, 4" 757N NRS / BFG, 6" 757N NRS / BFG, 6" 957N BFG	WB 4000AN	53" x 33" x 44"	1000W	280	65" x 45"
4" 757N OSY, 3" 757N DCDA, 6" 957N NRS, 8" 957N NRS, 2 1/2" - 3" 957N RPDA, 4" 957N RPDA	WB 4000AE	53" x 44" x 44"	1000W	340	65" x 56"
8" 757N NRS, 4" 957 QT	WB 6000AN	62" x 39" x 46"	1500W	350	74" x 51"
6" 757N OSY, 6" 757N DCDA, 6" 957N OSY, 8" 957N NRS, 6" 957N RPDA	WB 6000AE	62" x 53" x 46"	1500W	440	74" x 65"

Dimensions (cont.)

FITS WATTS VALVES	WATTS MODEL #	DIMENSIONS 12" CLEARANCE LENGTH X WIDTH X HEIGHT	HEATERS	WEIGHT LBS.	MOUNTING PAD SIZE
Stucco Aluminum					
2½" - 3" 757N NRS / BFG / QT	WB 2000A	39" x 24" x 32"	90W	120	42" x 34"
2½" - 3" 757NRS / QT / BFG, 4" 757BFG	WB 2.5	60" x 22" x 30"	(2) 90W	100	63" x 32"
2½" - 3" 757OSY, 2½" - 3" 957NRS / OSY, 4" 957NRS	WB 2.75	60" x 22" x 42"	(2) 90W	140	63" x 44"
10" 757OSY, 10" 757DCDA, 10" 957OSY, 10" 957RPDA	WB 6 ET	105" x 36" x 80"	(2) 1500W	551	108" x 82"
10" 757N NRS	WB 8000ANT	73" x 45" x 60"	2000W	363	75" x 62"
8" 757N OSY, 8" 757N DCDA, 10" 757N OSY, 10" 757N DCDA, 8" 957N OSY, 10" 957N NRS, 10" 957N OSY, 8" 957N RPDA, 10" 957N DCDA	WB 8000AET	73" x 67" x 60"	2000W	453	76" x 62"
Strainer Models					
¼" - 2"	WB-2S	47" x 13" x 28"	90W	65	58" x 24"
2½" - 3" NRS	WB-N3S	83" x 26" x 45"	1500W	365	95" x 38"
2½" - 3" OSY	WB-E3S	83" x 26" x 55"	1500W	365	95" x 38"
4" NRS	WB-N4S	102" x 32" x 50.5"	2000W	415	114" x 44"
4" OSY	WB-E4S	102" x 32" x 57.5"	2000W	425	114" x 44"
6" NRS	WB-N6S	125" x 36" x 53"	3000W	545	137" x 48"
6" OSY	WB-E6S	125" x 36" x 64"	3000W	550	137" x 48"
8" NRS	WB-N8S	142" x 40" x 58"	3000W	585	154" x 52"
8" OSY	WB-E8S	142" x 40" x 74"	4000W	650	154" x 52"
10" NRS	WB-N10S	172" x 42" x 65"	4000W	685	184" x 54"
10" OSY	WB-E10S	172" x 42" x 85"	3800W	825	184" x 54"



A Watts Water Technologies Company



ISO 9001-2008
CERTIFIED

USA: Tel: (978) 688-1811 • Fax: (978) 794-1848 • www.watts.com
Canada: Tel: (905) 332-4090 • Fax: (905) 332-7068 • www.watts.ca