

# For Commercial Applications

Job Name \_\_\_\_\_

Contractor \_\_\_\_\_

Job Location \_\_\_\_\_

Approval \_\_\_\_\_

Engineer \_\_\_\_\_

Contractor's P.O. No. \_\_\_\_\_

Approval \_\_\_\_\_

Representative \_\_\_\_\_

Tag \_\_\_\_\_

## RD-800-CT Dual Outlet Large Capacity Roof Drain/Overflow

### Specification

Watts RD-800-CT epoxy coated cast iron dual roof drain/overflow combination with flashing clamp, integral gravel stop, 4"(102) high internal overflow standpipe, secured ductile iron dome, and no hub outlet(s).

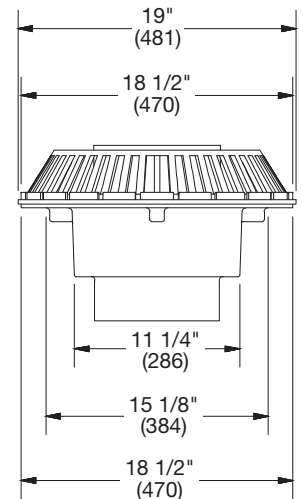
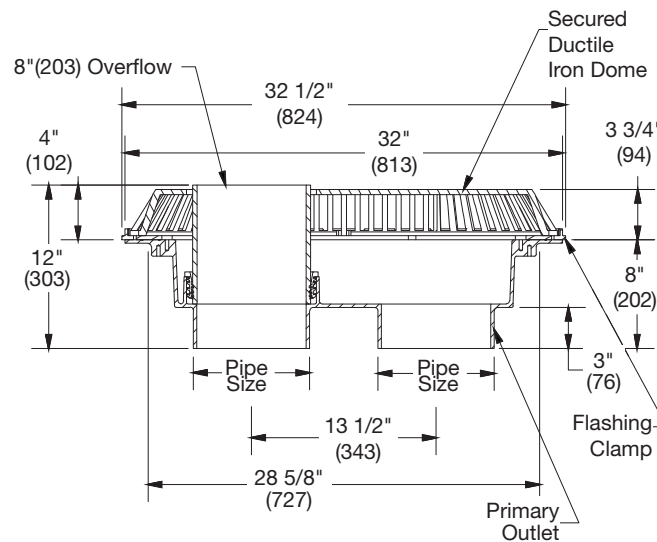
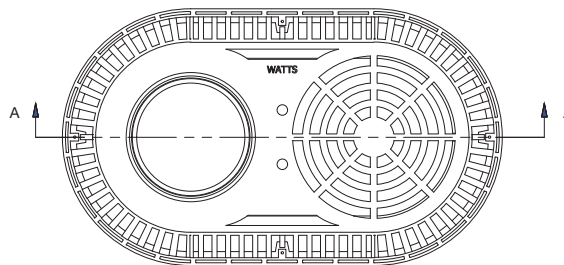


Pipe Size (Select One)	
Suffix	Description
8	8"(203) Pipe Size <input type="checkbox"/>
10	10"(254) Pipe Size <input type="checkbox"/>

Options (Select One or More)	
Suffix	Description
-D	Underdeck Clamp <input type="checkbox"/>
-F	Deck Flange/Adj. Extension <input type="checkbox"/>
-GSS	Stainless Steel Ballast Guard <input type="checkbox"/>
-L	Vandal Proof Dome <input type="checkbox"/>

**Deck Opening:**  
29 1/2"(749) x 15 3/4"(400)  
**with Deck Flange:**  
35"(889) x 22"(559)

Free Area Sq. In.
304



### NOTICE

The information contained herein is not intended to replace the full product installation and safety information available or the experience of a trained product installer. You are required to thoroughly read all installation instructions and product safety information before beginning the installation of this product.

Watts product specifications in U.S. customary units and metric are approximate and are provided for reference only. For precise measurements, please contact Watts Technical Service. Watts reserves the right to change or modify product design, construction, specifications, or materials without prior notice and without incurring any obligation to make such changes and modifications on Watts products previously or subsequently sold.



**USA:** T: (800) 338-2581 • F: (828) 248-3929 • Watts.com

**Canada:** T: (905) 332-4090 • F: (905) 332-7068 • Watts.ca

**Latin America:** T: (52) 81-1001-8600 • Watts.com