



California Faucets®

Cardiff™

WALL LAVATORY

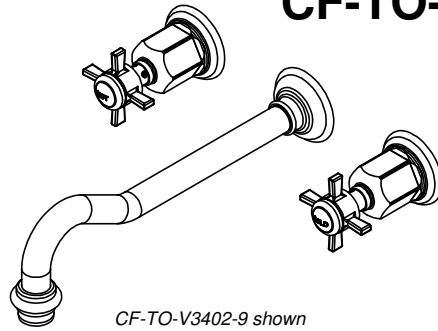
Features

- 1.2 gpm (4.5 L/min) max flow rate
- Rough valve (CF-VL-R) sold separately
- Solid brass construction
- Over 30 finishes including 15 PVD finishes

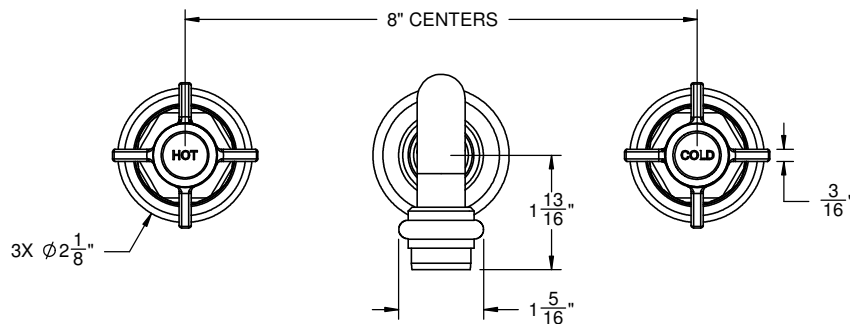
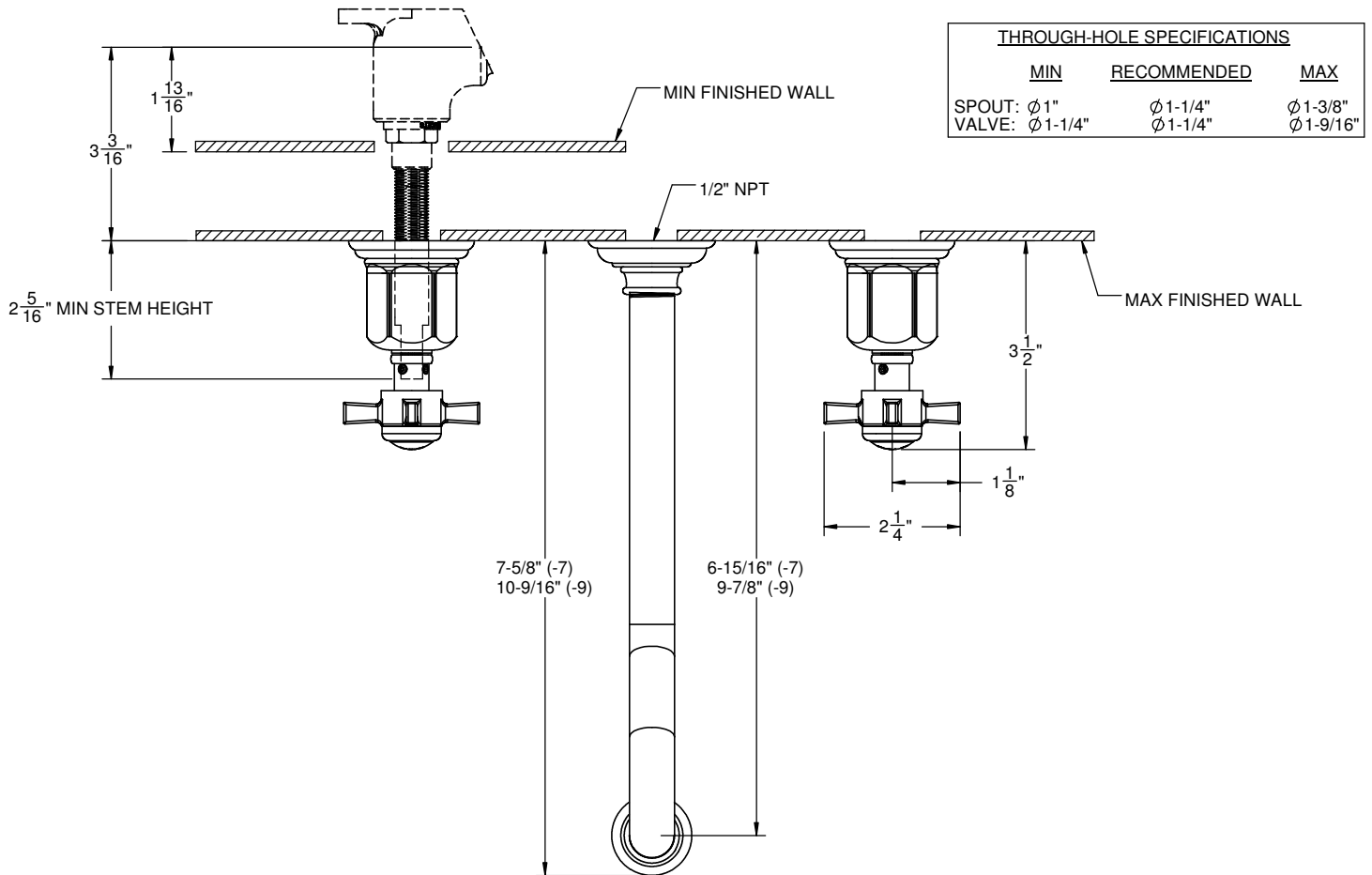
Codes/Standards

- Product meets or exceeds the following:
- ASME A112.18.1/CSA B125.1
 - NSF/ANSI 61 & NSF/ANSI 372
 - CEC

CF-TO-V3402-7/9



CF-TO-V3402-9 shown



ALL DIMENSIONS SHOWN TO NEAREST 1/16"