



California Faucets®

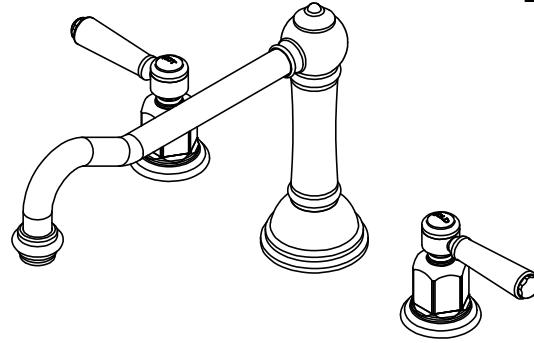
Topanga™

ROMAN TUB TRIM SET

TO-3308

Features

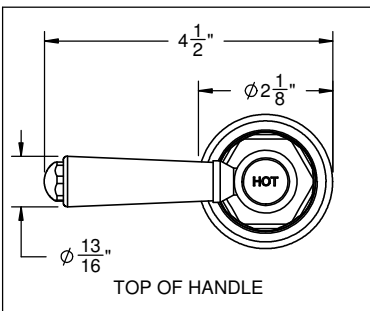
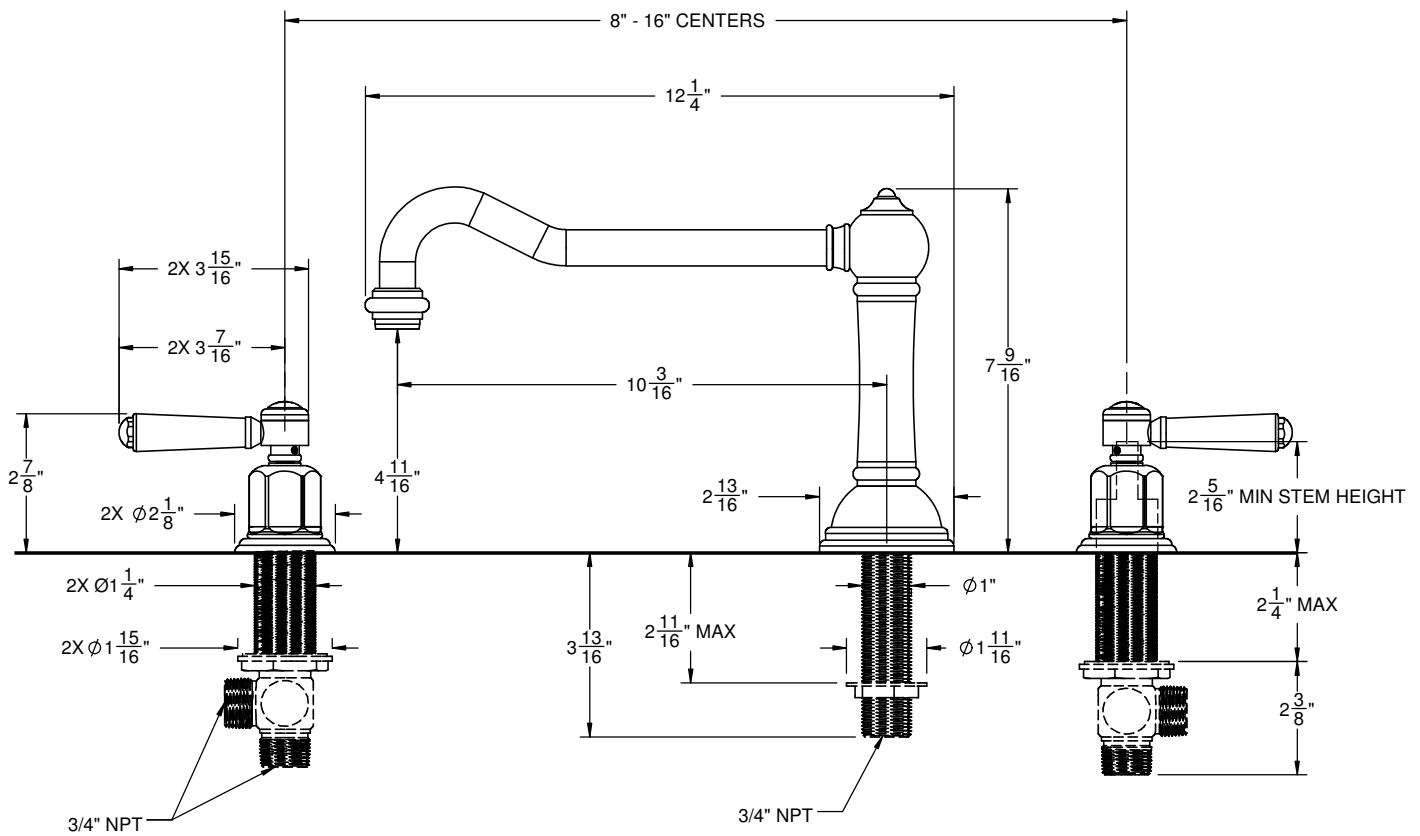
- 10-3/16" spout center to center
- Spout has quick connect for ease of installation
- Max flow rate: 16 gpm (60.6L/min)
- Requires rough-in (08-75-99) sold separately
- Solid brass construction
- Over 30 finishes including 15 PVD finishes



Codes/Standards Applicable

Product meets or exceeds the following:

- ASME A112.18.1/CSA B125.1
- ADA compliant



THROUGH-HOLE SPECIFICATIONS			
	MIN	RECOMMENDED	MAX
SPOUT:	Ø1"	Ø1-3/8"	Ø1-5/8"
VALVE:	Ø1-1/4"	Ø1-3/8"	Ø1-5/8"

SPECIFICATIONS SUBJECT TO CHANGE WITHOUT NOTICE

ALL DIMENSIONS SHOWN TO NEAREST 1/16"